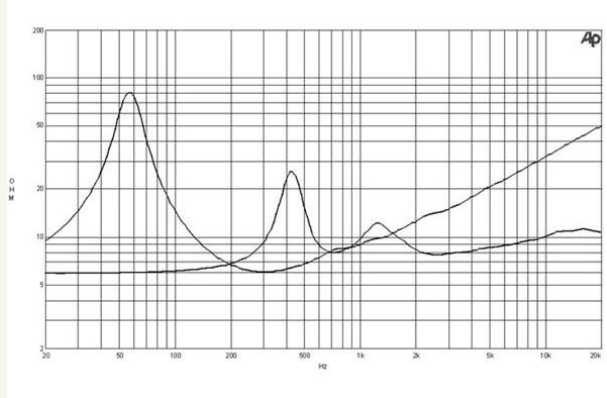
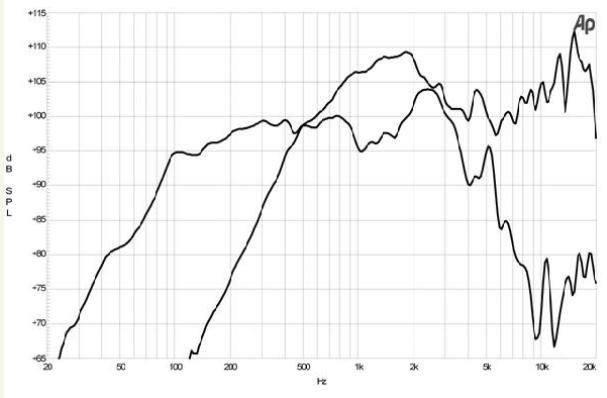




12CX32 Coaxials

700 W continuous program power capacity
 80° nominal coverage
 55 – 20000 Hz response
 99 dB sensitivity
 XO-3 dedicated crossover network



Horns
 HF Drivers
 Coaxials
 LF Nd Drivers
 LF Drivers

Specifications

Nominal Diameter	320 mm (12 in)
Nominal Impedance	8 ohm
Minimum Impedance	6.2 ohm (LF) 7.8 ohm (HF)
Frequency Range	55 - 20000 Hz
Dispersion Angle (1)	80°
LF Unit	
Sensitivity (1W/1m) (2)	99 db
Nominal Power Handling (3)	350 W
Continuous Power Handling (4)	700 W
Voice Coil Diameter	76 mm (3 in)
Winding Material	Aluminium
HF Unit	
Sensitivity (1W/1m) (5)	105 dB
Nominal Power Handling (6)	80 W
Continuous Power Handling (7)	160 W
Voice Coil Diameter	75 mm (3 in)
Winding Material	Aluminium
Diaphragm Material	Titanium
Recom. Crossover (8)	1.2 kHz

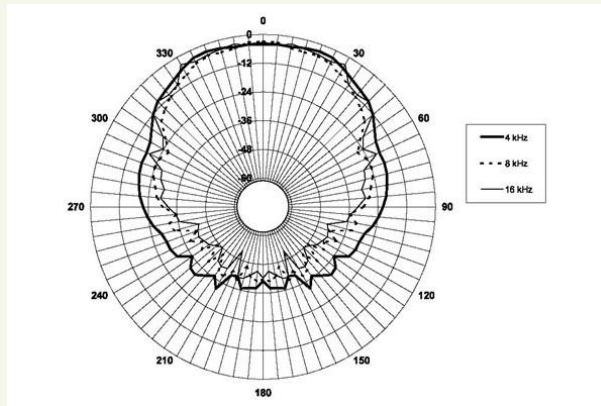
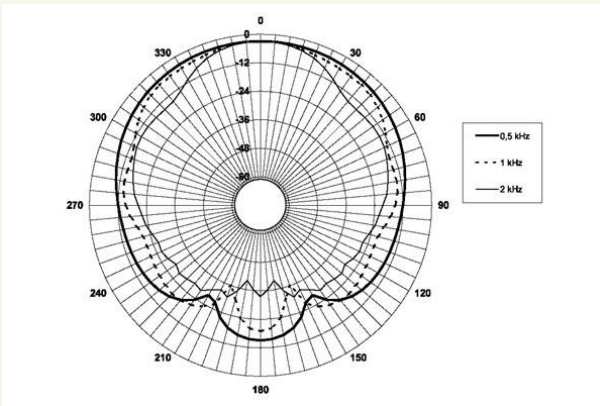
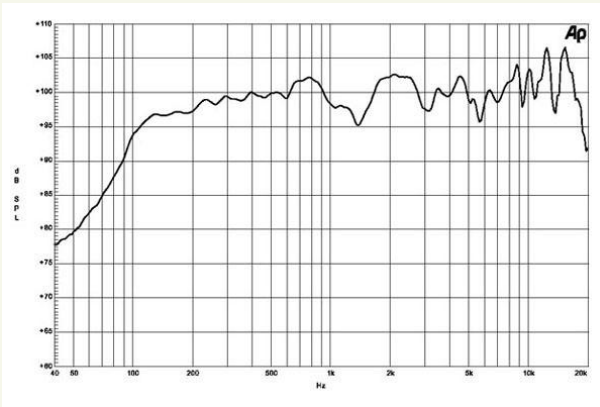
Parameters

Fs	57 Hz
Re	5.1 ohm
Qes	0.3
Qms	5.2
Qts	0.28
Vas	79 dm3 (2.8 ft3)
Sd	522 cm2 (80.9 in2)
Eta Zero	4.7 %
Xmax	+/- 4 mm
Xvar	+/- 6 mm
Mms	38 g
Bl	15.3 Txm
Le	1.2 mH

Mounting and Shipping Info

Overall Diameter	316 mm (12.4 in)
Bolt Circle Diameter	296 mm (11.6 in)
Baffle Cutout Diameter	282 mm (11.1 in)
Depth	190 mm (7.5 in)
Flange and Gasket Thickness	16 mm (5/8 in)
Net Weight	11.2 kg (24.6 lb)
Shipping Weight	12.3 kg (27 lb)
Shipping Box	380x380x240 mm (15x15x9.4 in)





Crossover

Model	XO-3
Filter Type	Two way
Nominal Impedance	8 Ohm
Crossover Frequency	1.2 kHz
Slope	12 dB/oct. (Low) 12 dB/oct. (High)
Overall Dimensions	107x96 mm (4.2x3.8 in)
Weight	0.55 kg (1.2 lb)

¹Included by -6 dB down points, averaged from 1 kHz to 8 kHz with B&C XO-3 crossover filter.

²Applied RMS Voltage is set to 2.83V for 8 ohms Nominal Impedance.

³2 hours test made with continuous pink noise signal (6 dB crest factor) within the specified range . Power calculated on rated minimum impedance. Loudspeaker in free air.

⁴Power on Continuous Program is defined as 3 dB greater than the Nominal rating.

⁵Applied RMS Voltage is set to 2.83V for 8 ohms Nominal Impedance.

⁶2 hours test made with continuous pink noise signal (6 dB crest factor) within the specified range . Power calculated on rated minimum impedance. Loudspeaker in free air.

⁷Power on Continuous Program is defined as 3 dB greater than the Nominal rating.

⁸12 dB/oct. or higher slope high-pass filter.

